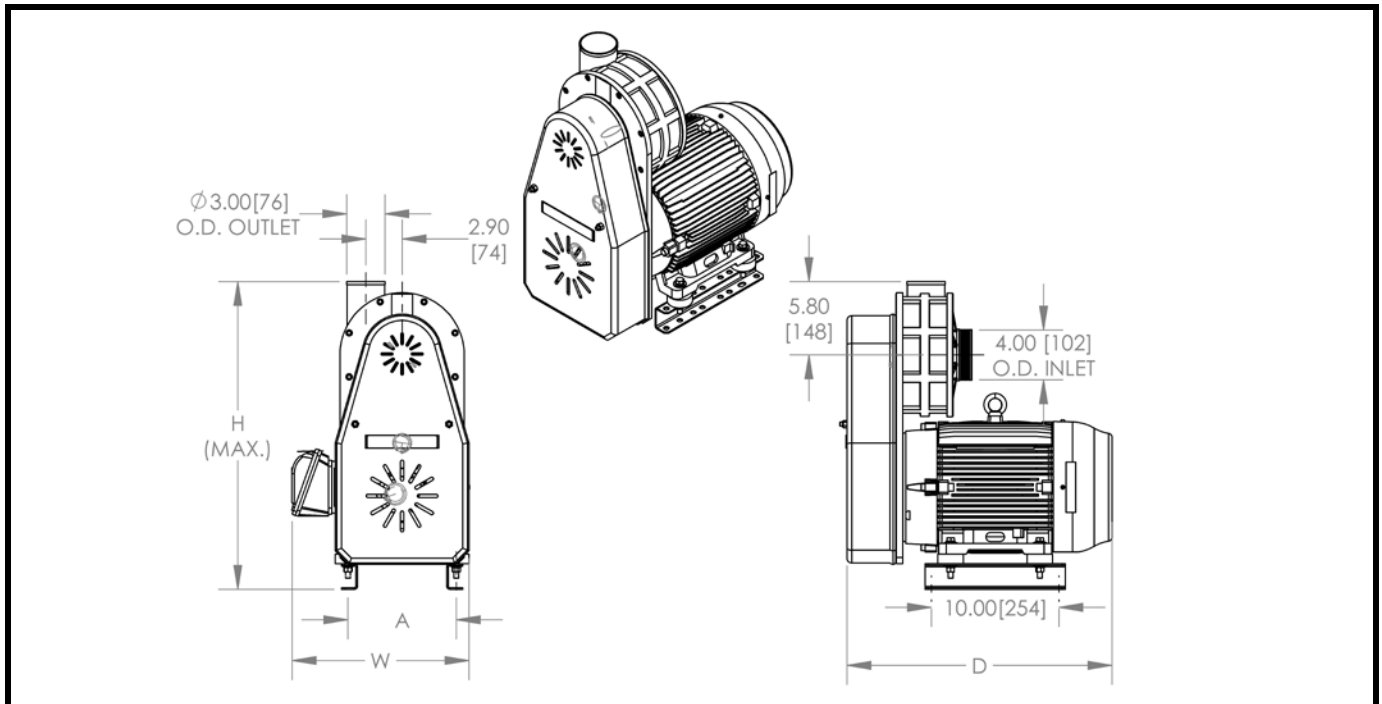
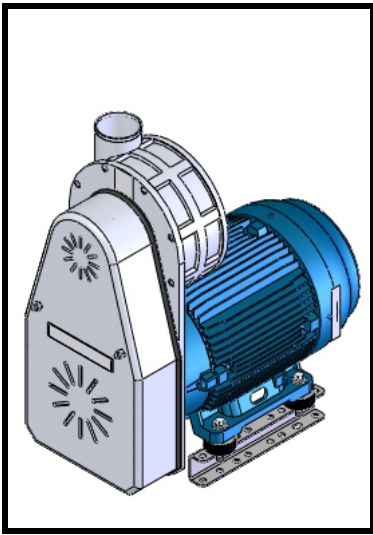


Product Specification Sheet

SONIC 70 CENTRIFUGAL BLOWER IEC



Dimensions in brackets () are in millimeters

Description	Blower – Sonic 70		Blower –Sonic 70 Water Cooled	
Output Flow Rate	50 cfm (24 lps) to 700 cfm (331 lps)		50 cfm (24 lps) to 700 cfm (331 lps)	
Ambient Temperature	10°F (-12°C) to 105°F (40°C)		10°F (-12°C) to 105°F (40°C)	
Air Temperature Range	< 125°F (52°C)		125°F (52°C) to 400°F (205°C)	
Motors Available	5.5 kW (7.5 HP)	7.5 kW (10 HP)	5.5 kW (7.5 HP)	7.5 kW (10 HP)
Width (W)	13.90 in (354 mm)	13.90 in (354 mm)	13.90 in (354 mm)	13.90 in (354 mm)
Depth (D)	20.80 in (529 mm)	20.80 in (529 mm)	20.80 in (529 mm)	20.80 in (529 mm)
Height (H)	24.15 in (614 mm)	24.15 in (614 mm)	24.15 in (614 mm)	24.15 in (614 mm)
Mounting Pattern (A)	8.5 in (216 mm)	8.5 in (216 mm)	8.5 in (216 mm)	8.5 in (216 mm)
Approximate Weight	191 lbs (87 kg)	191 lbs (87 kg)	191 lbs (87 kg)	191 lbs (87 kg)
Replacement 16 Groove Belt P/N				
Pulley 1.50 to 2.20 Diameter	13514			