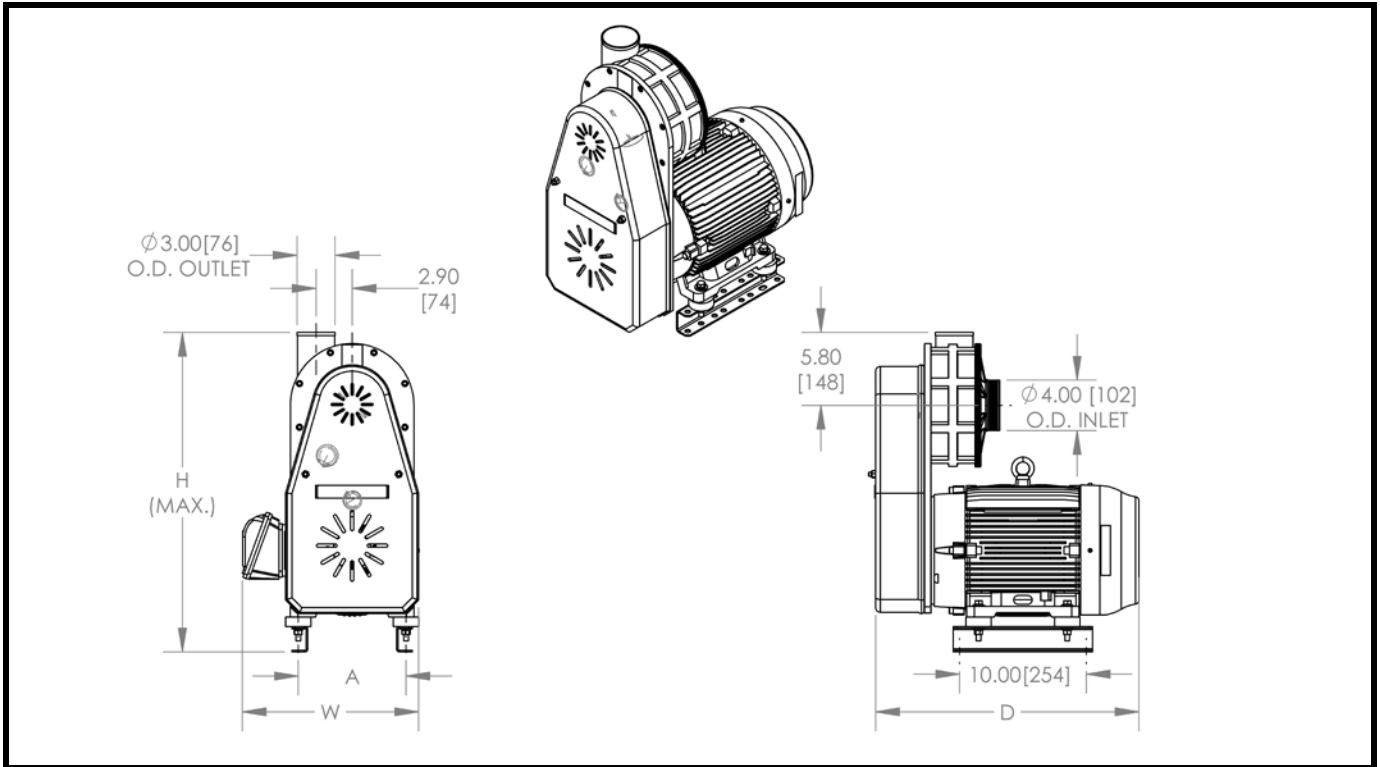


Product Specification Sheet

**SONIC 70  
CENTRIFUGAL BLOWER**



Dimensions in brackets ( ) are in millimeters

Description	Blower – Sonic 70				Blower –Sonic 70 Water Cooled			
<b>Output Flow Rate</b>	50 cfm (24 lps) to 700 cfm (331 lps)				50 cfm (24 lps) to 700 cfm (331 lps)			
<b>Ambient Temperature</b>	10°F (-12°C) to 105°F (40°C)				10°F (-12°C) to 105°F (40°C)			
<b>Air Temperature Range</b>	< 125°F (52°C)				125°F (52°C) to 400°F (205°C)			
<b>Motors Available</b>	3 Hp	5 Hp	7.5 Hp	10 Hp	3 Hp	5 Hp	7.5 Hp	10 Hp
<b>Width (W)</b>	12.00 in (305 mm)	12.00 in (305 mm)	12.00 in (305 mm)	13.00 in (331 mm)	12.00 in (305 mm)	12.00 in (305 mm)	12.00 in (305 mm)	13.00 in (331 mm)
<b>Depth (D)</b>	20 in (508 mm)	20 in (508 mm)	20 in (508 mm)	20 in (508 mm)	20 in (508 mm)	20 in (508 mm)	20 in (508 mm)	20 in (508 mm)
<b>Height (H)</b>	24 in (610 mm)	24 in (610 mm)	24 in (610 mm)	25.00 in (635 mm)	25.0 in (635 mm)	24 in (610 mm)	24 in (610 mm)	25.00 in (635 mm)
<b>Mounting Pattern (A)</b>	7.5 in (191 mm)	7.5 in (191 mm)	7.5 in (191 mm)	8.5 in (216 mm)	7.5 in (191 mm)	7.5 in (191 mm)	7.5 in (191 mm)	8.5 in (216 mm)
<b>Approximate Weight</b>	103 lbs (46.8 kg)	119 lbs (54.1 kg)	133 lbs (60.5 kg)	161 lbs (73.2 kg)	103 lbs (46.8 kg)	119 lbs (54.1 kg)	133 lbs (60.5 kg)	161 lbs (73.2 kg)
<b>Replacement 16 Groove Belt P/N</b>								
<b>Pulley 1.50 to 2.20 Diameter</b>	13514							